



## FLAIL MOWER FOR SMALLER TRACTORS

**KP Series**



### **COMPACT BUT ROBUST**

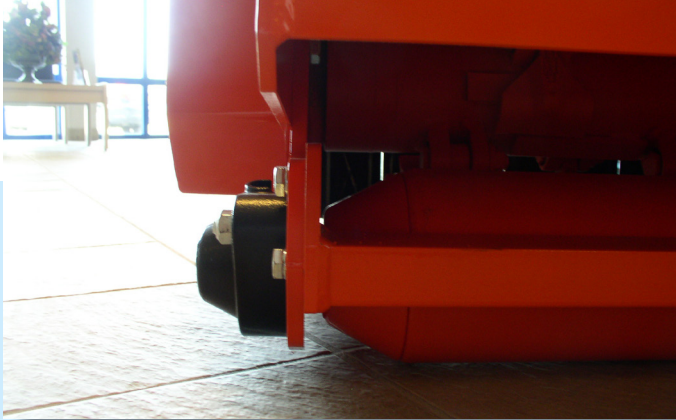
KP Series Flail Toppers are specially designed for topping pastures, green spaces, parks, camping sites, vineyards etc. Their compact but very strong construction allows these machines to work with tractors from 18 kW (25 HP).

*Flail mowers with compact but robust construction.  
Excellent mowing solution for smaller areas.*

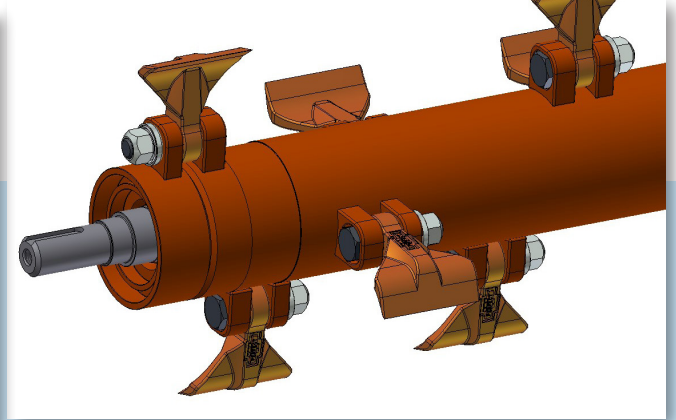


## KP SERIES

# Flail mowers for smaller tractors



To protect the bearings of the large diameter rear roller, the bearings are fitted with unique covers to prevent humidity, dust and mud from entering.



The 0,9 kg (2 lbs) special flails with single cutting edges ensure clean and finest cut of grass, rushes, reed stems, pruning etc. up to 3 cm. They are fitted to the double balanced rotor with heavy 20 mm bolts and replaceable steel bushes.

### STATE OF THE ART PRODUCTION

Alle PERFECT mowers are completely designed and manufactured in our factory in the Netherlands using the latest production technics and first class components only. Standard configuration includes a Walterscheid PTO shaft.

### EXTRA'S

- Hydraulic offset feature
- Headstock for front mount
- Flex-flails instead of 0,9 kg (2 lbs) flails, for better protection against large stones

Technical specifications	KP-150	KP-180	KP-210	KP-240
Working width (cm/ inch)	150/ 4'9"	180/ 5'9"	210/ 6'9"	240/ 7'9"
Speed:				
- PTO shaft (rpm)	540	540	540	540
- flail shaft (rpm)	2100	2100	2100	2100
Required min. power (kW/ HP)	18/ 25	21/ 28	25/ 34	30/ 41
Flails 0.9(kg )/ 1.98 (lb)	16	18	22	24
Total width (cm/ inch)	172/ 5'6"	202/ 6'6"	232/ 7'6"	262/ 8'6"
Tractor coupling system (cat.)	I + II	I + II	I + II	I + II
Weight (kg/ lb)	425/ 937	465/ 1025	530/ 1168	605/ 1334
Standard fixed 3-point offset from tractor centre (cm/ inch)	80/ 2'6"	110/ 3'6"	140/ 4'6"	154/ 5'1"
Hydraulic offset from tractor centre (optional):				
- minimum (cm/ inch)	55/ 1'8"	85/ 2'8"	115/ 3'8"	130/ 4'3"
- maximum (cm/ inch)	105/ 3'4"	135/ 4'4"	165/ 5'4"	180/ 5'9"

As our policy is one of continuous improvement, we reserve the right to change the specification or to modify the design without prior notice



Van Wamel B.V.

📍 **Van Wamel B.V.**  
Energieweg 1, 6658 AE  
Beneden Leeuwen  
The Netherlands

☎ +31 (0) 487 59 29 44  
☎ +31 (0) 487 59 29 44  
@ www.vanwamel.nl  
🌐 perfect@vanwamel.nl

Your PERFECT dealer